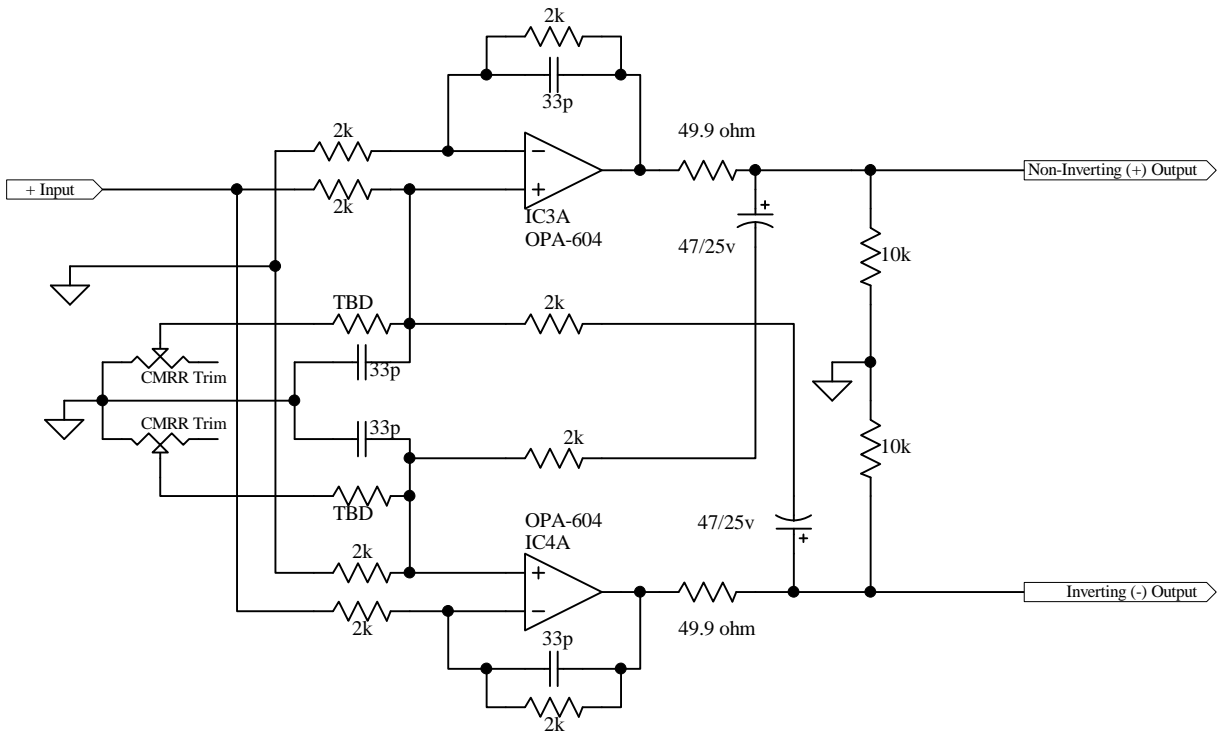


Balanced Floating Output with Balanced Input



Balanced Floating Output with Single-Ended Input

These circuits are modified versions of a topology presented by George D Pontis, originally printed in the Hewlett-Packard Journal Pages 12-13, August, 1980.